

Product leaflet

Product
Chemical cartridge
OV/SD/CL/HC/HF

Model No.
SR 532

Ordering No.
H02-7121

Product Description

The SR 532 OV/SD/CL/HC/HF chemical cartridge are intended for use in the SR 500 Powered Air-Purifying Respirator (PAPR) to provide protection against the following types of gases and vapours:

OV protects against Organic vapours.

SD protects against Sulfur dioxide.

CL protects against Chlorine.

HC protects against Hydrogen chloride.

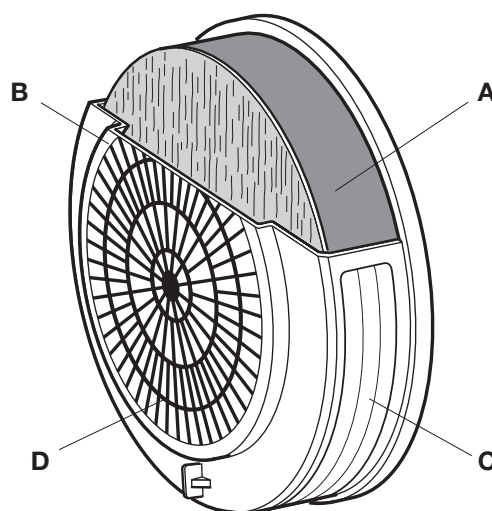
HF protects against Hydrogen fluoride.

The SR 500 PAPR must always be used with two particulate filters or two combined filters consisting of chemical cartridges and particulate filters.

Technical specification

| | SR 532 | 42 CFR part 84 |
|---|---|----------------|
| Diameter/height | 5.4/2.6 inch (138/65 mm) | - |
| Weight | ≈ 12.9 oz (367 g) | - |
| Service temperature | 14 to 131 °F (-10 to +55 °C), < 90 % RH | - |
| Storage temperature | 4 to 104 °F (-20 to +40 °C), < 90 % RH | - |
| Resistance time | | |
| OV , Tetrachloromethane CCl ₄ , 1,000 ppm | > 105 min | ≥ 25 min |
| CL , Chlorine Cl ₂ , 500 ppm | > 60 min | ≥ 17.5 min |
| HC , Hydrogen Chloride HCl, 500 ppm | > 30 min | ≥ 25 min |
| HF , Hydrogen Fluoride HF, 70 ppm | > 35 min | ≥ 30 min |
| SD , Sulfur Dioxide SO ₂ , 500 ppm | > 50 min | ≥ 15 min |
| Approval | NIOSH 42 CFR part 84 | |

- A. Activated carbon**
- B. Filter disc**
- C. Marking label**
- D. Filter canister**



Sundstrom Safety Inc.

143 Maple St.
Warwick, RI 02888

Office: 1-401-434-7300
Toll Free: 1-877-SUNDSTROM
Fax: 1-401-434-8300

info@srsafety.com
www.srsafety.com