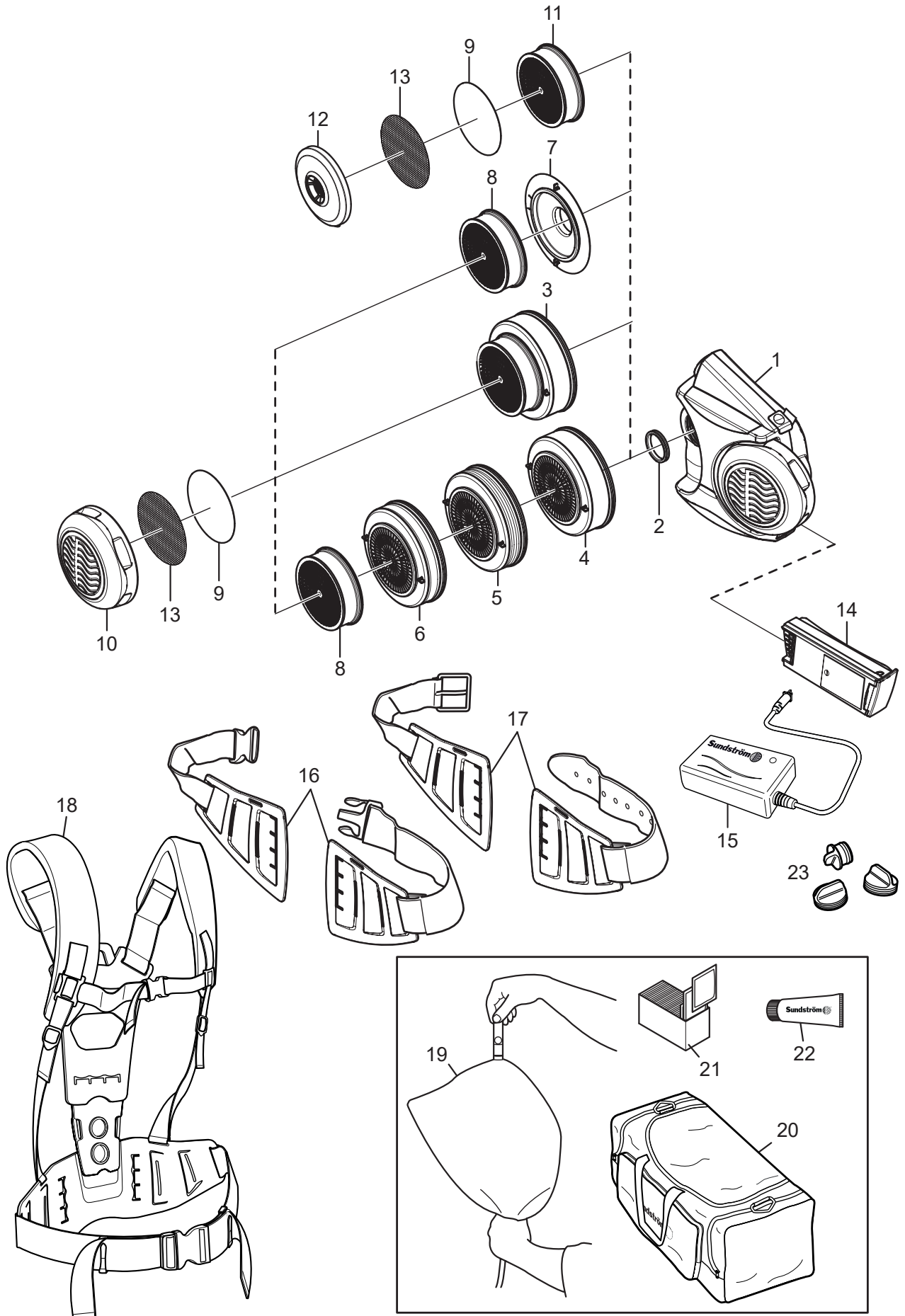


# SR 500 EX

## Spare parts / Accessories



<b>No.</b>	<b>Description</b>	<b>Ordering No.</b>
1.	Fan unit SR 500 EX, bare	R06-2001
2.	Gasket	R06-0107
3.	Combined filter A1BE2K1-Hg-P3 R, SR 599	H02-7312
4.	Gas filter A1BE2K1, SR 597	H02-7212
5.	Gas filter ABE1, SR 515	H02-7112
6.	Gas filter A2, SR 518	H02-7012
7.	Filter adapter SR 511	R06-0105
8.	Particle filter P3 R, SR 510	H02-1312
9.	Pre-filter SR 221	H02-0312
10.	Pre-filter holder SR 512 EX	R06-2023
11.	Particle filter P3 R, SR 710	H02-1512
12.	Pre-filter holder	R01-0605
13.	Steel net disc SR 336	T01-2001
14.	Battery SR 501 EX, 2,1 Ah	R06-2002
15.	Battery charger SR 513 EX	R06-2003
16.	Belt SR 508 EX Rubber belt SR 504 EX Belt PVC EX	R06-2148 T06-2150 T01-2151
17.	Leather belt SR 503 EX	T06-2149
18.	Harness SR 552 EX	T06-2002
19.	Flow meter SR 356	R03-0346
20.	Storage bag SR 505	T06-0102
21.	Cleaning wipes 50/box	H09-0401
22.	Vaseline tube	R06-2016
23.	Plug kit	R06-0703